



SANKYO REELS, INC.

REEL CATALOG

WIND the GLOBE

Sankyo Reels, Inc. has been in business more than 40 years since its founding in 1968.

We are proud that our products keep top share in the automotive industry, and its high level quality is widely recognized. Our lineup includes an abundant variety of highly functional and well designed reels, which meet every customers' demands of sizes and purposes.

In recent years, along with establishing our facilities in the U.S. in 1997, China in 2003 and Belgium in 2008, we started the TRIENS brand in June 2007 seeking to create a global brand for reels built on our company's reliability, advancements and refinements at the forefront. We will make great leaps into the global market with our headquarters in Japan.

Triens has won several design awards for our innovative and modern styled reels. We constantly improve the form and function of our products.

We will continue to treat all needs with importance, supply products that meet users' demands, and make great steps forward.

At TRIENS, we are committed to bringing the finest, most advanced and most innovative products to our valued customers all over the world.



"TRIENS" represents "Sankyo", comes from the Latin "tri" (three) and "consensio" (accordance).

The name encompasses the meaning of an engineering group that is always trying their best, and working to become professionals who never compromise.

These thoughts towards each of us are included in the name of TRIENS.

Twin·kle 2

TRIENS original combination reel



Reel combinations can be mixed or matched to meet your requirements.
Various combination is available
Easy installation with one-touch clamp

Optional color



※Green color is also available

Please ask for combination you may need

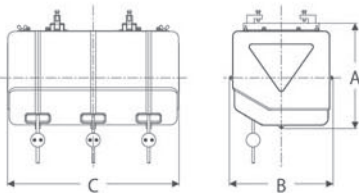


Practical & Convenient

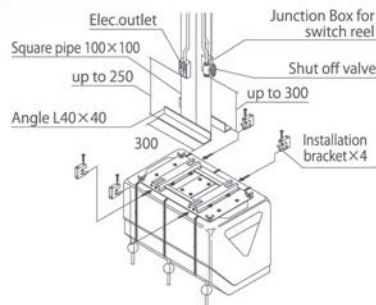
Reel cover can be easily removed for hose exchange and maintenance of reel.

Dimensions

Unit	TR2 Body cover (mm)			Cover Weight (kg)
	A	B	C	
1	355.0	336	196	2.4
2	341.3	336	376	4.0
3	341.3	336	556	5.7



Installation Example 2unit•3unit (mm)



Combination Example

Model	Combination	Unit	Dimension(mm)			Weight (kg)
			A	B	C	
TR2- A	Air Hose Reel	1	355.0	336	196	2.4
TR2- A- C	Air Hose Reel +Outlet Cord Reel	2	341.3	336	376	13.1
TR2- A- CL	Air Hose Reel + Captain Light Reel	2	341.3	336	376	13.1
TR2- A- CL- 4NL	Air Hose Reel + Captain Light Reel + 4 Cores Switch Reel	3	341.3	336	556	19.8
TR2- ASZ-C- 4NL	Limber Hose Reel + Outlet Cord Reel + 4 Cores Switch Reel	3	341.3	336	556	19.4

Model Description

1 unit

TR2-

2 unit

TR2- -

3 unit

TR2- - -

* please input the Alphabet code that you wish to include in Tinkle Reel cover.
A= Air, C= Cord CL = Captain Light
4NL = 4 cores wire for switch