

Unipac Smart Trolley

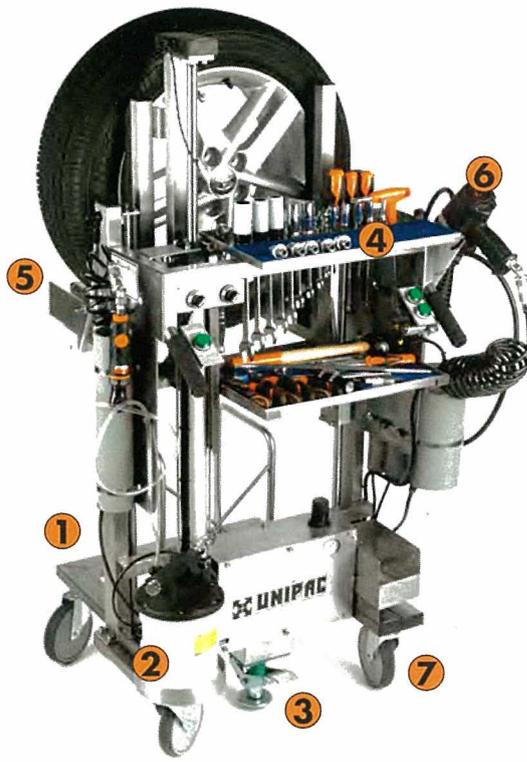
Improves workshop efficiency

Eliminates excess movement around vehicle

1 Frame made from industrial quality stainless steel

2 Brake bleeder attached

3 Stabiliser foot in centre of wheels



Reduces need for lifting

Removes any excessive equipment & clutter

4 Tools available close to hand

5 Attaches to workshop air for pneumatic tools

6 Attached and ready impact wrench, air ratchet, blow gun and tyre inflator

7 Four heavy duty castors for ease of movement in all areas of the workshop



8 Takes weight of wheel when car is on hoist so no lifting

9 Is supplied with wheel rotation trolley to take wheel to balancer

**For max efficiency of routine maintenance
1 or 2 person set up per bay**



UNIPAC ENGINEERING (M) SDN. BHD.

No.2 Jalan Jurubina U1/18, Hicom Glenmarie Industrial Park, Section U1, 40150 Shah Alam, Selangor.

•Tel : 603-5569 0111 •Fax : 603-5569 6620 •Email : sales@unipac.com.my •Website : www.unipac.com.my

Find us on : : Unipac Engineering (Malaysia) : uem.unipac

• Penang : 604-399 6133 • Ipoh : 605-526 9885 • Melaka : 606-336 6933 • Johor : 607-354 8400

• Kuantan : 609-573 4088 • Singapore Jalan Senang : 02-6543 2166 • Singapore Ang Mo Kio : 02-6481 6386

Thinking Workshops...
Think UNIPAC